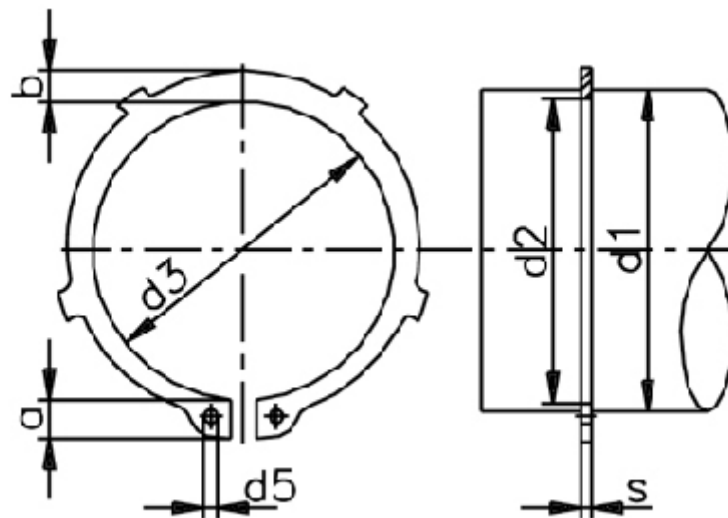


Article number: 0107067

Description: Retaining ring AK 50 DIN 983

## Measures



a max	= 8.2	FN kN	= 38.00	Number of serrations	= 6
AN mm <sup>2</sup>	= 228.0	FRg kN	= 14.4	s	= 2.00
b	= 5.0	FR kN	= 73.3	t	= 1.50
d1	= 50	g	= 2.0	tol	= -0.25
d2	= 47.0	K kN-mm	= 133.0	tol	= -0.07
d3	= 45.8	m min	= 2.15	tol	= +0,39-0,90
d5 min	= 2.5	n abl x 1000	= 10	Tong	= ZGA-3
Description	= AK 50	Nominal drive	= 4.5	Weight kg/1000	= 11.50